

2-1617758-9 ✓ ACTIVE



CII

TE Internal #: 2-1617758-9

Mid-Range Relays, 2 Form C, DPDT, 2 C/O, Gold Terminal Plating,  
5 A, 28 VDC Coil Voltage, 500  $\Omega$  Coil Resistance, 115/200Vac  
(400Hz), Plain Case

[View on TE.com >](#)

Relays, Contactors & Switches > Relays > Mil-Aero Relays > Mid-Range Relays



Mid-Range Relay Contact Arrangement: **2 Form C, DPDT, 2 C/O**

Coil Suppression Diode: **Without**

Auxiliary Contacts: **Without**

Terminal Plating: **Gold**

Mid-Range Relay Contact Current Rating: **5 A**

## Features

### Product Type Features

|                        |                              |
|------------------------|------------------------------|
| Enclosure Type         | Hermetically Sealed          |
| Terminal Configuration | Socket Pins                  |
| Product Type           | Relay                        |
| Relay Type             | Military/Aerospace Mid-Range |

### Electrical Characteristics

|                                         |                       |
|-----------------------------------------|-----------------------|
| Vibration                               | 30G's, 70 – 3000Hz    |
| Shock                                   | 200G's, 6ms           |
| Coil Suppression Diode                  | Without               |
| Mid-Range Relay Coil Voltage Rating     | 28 VDC                |
| Mid-Range Relay Coil Resistance         | 500 $\Omega$          |
| Mid-Range Relay Contact Switching (Max) | 115/200Vac (400Hz)    |
| Back EMF Suppression                    | Without               |
| Coil Magnetic System                    | Polarized, Monostable |
| Actuating System                        | DC                    |

### Contact Features

|                                     |                       |
|-------------------------------------|-----------------------|
| Mid-Range Relay Contact Arrangement | 2 Form C, DPDT, 2 C/O |
| Auxiliary Contacts                  | Without               |



|                                        |                      |
|----------------------------------------|----------------------|
| Terminal Plating                       | Gold                 |
| Mid-Range Relay Contact Current Rating | 5 A                  |
| Contact Base Material                  | Silver Cadmium Oxide |

### Mechanical Attachment

|                               |            |
|-------------------------------|------------|
| Mid-Range Relay Mounting Type | Plain Case |
|-------------------------------|------------|

### Usage Conditions

|                             |              |
|-----------------------------|--------------|
| Operating Temperature Range | -70 – 125 °C |
|-----------------------------|--------------|

## Product Compliance

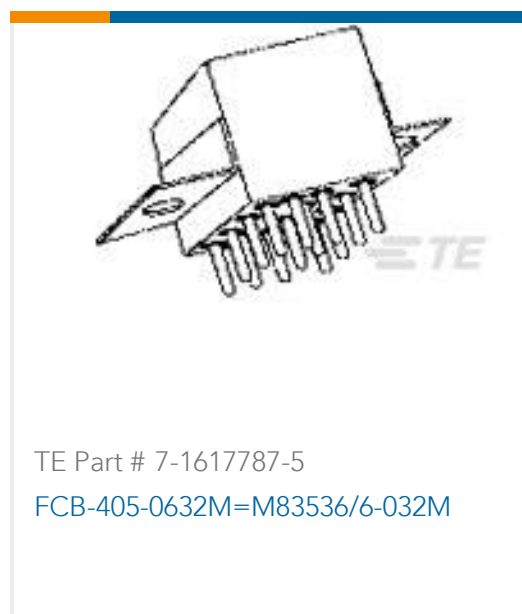
[For compliance documentation, visit the product page on TE.com>](#)

|                                               |                                                                                                                                          |
|-----------------------------------------------|------------------------------------------------------------------------------------------------------------------------------------------|
| EU RoHS Directive 2011/65/EU                  | Not Compliant                                                                                                                            |
| EU ELV Directive 2000/53/EC                   | Not Compliant                                                                                                                            |
| China RoHS 2 Directive MIIT Order No 32, 2016 | Restricted Materials Above Threshold                                                                                                     |
| EU REACH Regulation (EC) No. 1907/2006        | Current ECHA Candidate List: JUNE 2022 (224)<br>Candidate List Declared Against: JAN 2022 (223)<br>SVHC > Threshold:<br>Not Yet Reviewed |
| Halogen Content                               | Not Yet Reviewed for halogen content                                                                                                     |
| Solder Process Capability                     | Not lead free process capable                                                                                                            |

#### Product Compliance Disclaimer

This information is provided based on reasonable inquiry of our suppliers and represents our current actual knowledge based on the information they provided. This information is subject to change. The part numbers that TE has identified as EU RoHS compliant have a maximum concentration of 0.1% by weight in homogenous materials for lead, hexavalent chromium, mercury, PBB, PBDE, DBP, BBP, DEHP, DIBP, and 0.01% for cadmium, or qualify for an exemption to these limits as defined in the Annexes of Directive 2011/65/EU (RoHS2). Finished electrical and electronic equipment products will be CE marked as required by Directive 2011/65/EU. Components may not be CE marked. Additionally, the part numbers that TE has identified as EU ELV compliant have a maximum concentration of 0.1% by weight in homogenous materials for lead, hexavalent chromium, and mercury, and 0.01% for cadmium, or qualify for an exemption to these limits as defined in the Annexes of Directive 2000/53/EC (ELV). Regarding the REACH Regulations, TE's information on SVHC in articles for this part number is still based on the European Chemical Agency (ECHA) 'Guidance on requirements for substances in articles' (Version: 2, April 2011), applying the 0.1% weight on weight concentration threshold at the finished product level. TE is aware of the European Court of Justice ruling of September 10th, 2015 also known as O5A (Once An Article Always An Article) stating that, in case of 'complex object', the threshold for a SVHC must be applied to both the product as a whole and simultaneously to each of the articles forming part of its composition. TE has evaluated this ruling based on the new ECHA "Guidance on requirements for substances in articles" (June 2017, version 4.0) and will be updating its statements accordingly.

## Compatible Parts



## Documents

### CAD Files

[3D PDF](#)

[3D](#)

Customer View Model

[ENG\\_CVM\\_CVM\\_2-1617758-9\\_C.2d\\_dxf.zip](#)

English

Customer View Model

[ENG\\_CVM\\_CVM\\_2-1617758-9\\_C.3d\\_igs.zip](#)

English

Customer View Model

[ENG\\_CVM\\_CVM\\_2-1617758-9\\_C.3d\\_stp.zip](#)

English

By downloading the CAD file I accept and agree to the [Terms and Conditions](#) of use.

### Datasheets & Catalog Pages

[5-1773450-5\\_sec5\\_FCB-205](#)

English